

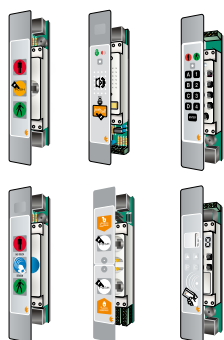
# TECNODIMENSIONE PROFESSIONAL ANCILLARIES FOR INSTALLATION

Example of a door equipped  
with devices, electric locks and accessories

## DEVICES

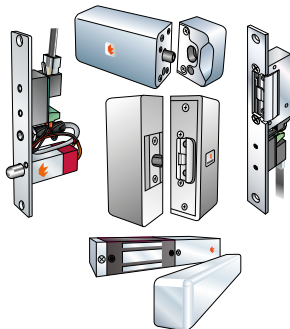
### STOP/GO DISPLAYS

INTERCOMS  
ALPHANUMERICAL  
KEYPADS,  
BADGE READERS



## ELECTRICAL LOCKS

ELECTRICAL  
DROP BOLTS  
ELECTROMAGNETS

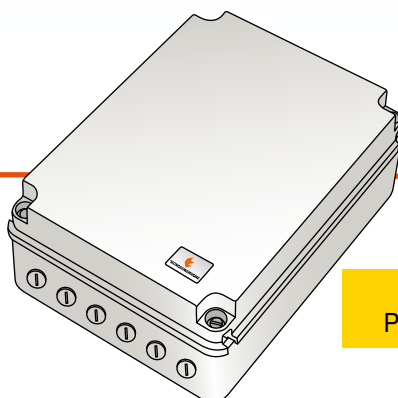
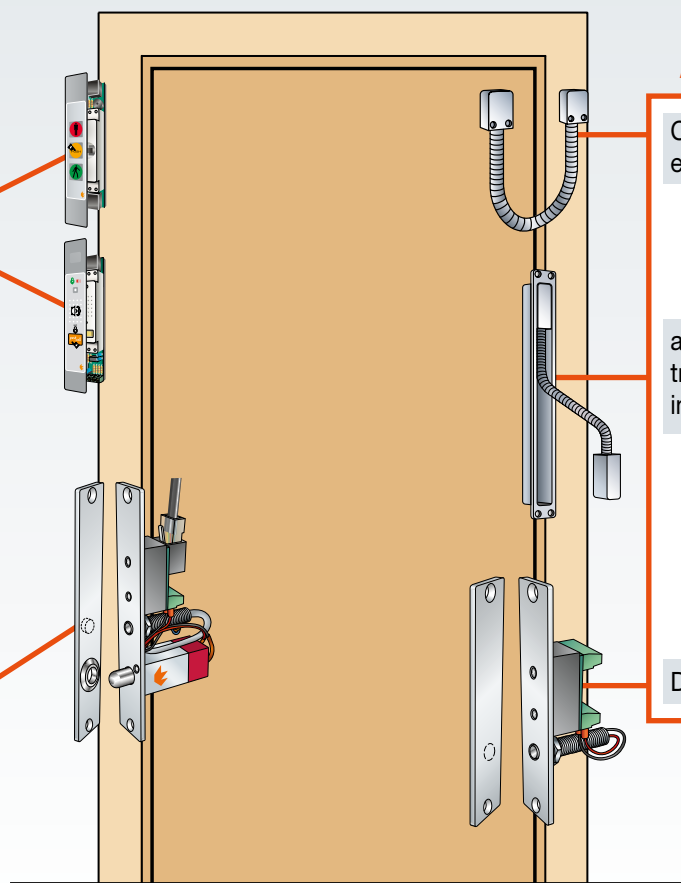


## ANCILLARIES

Cable transfer  
external



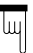
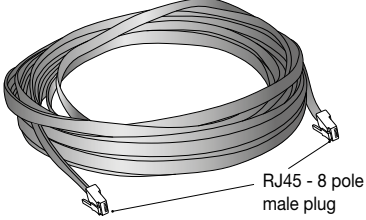
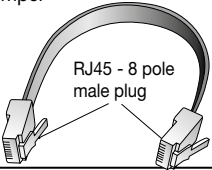
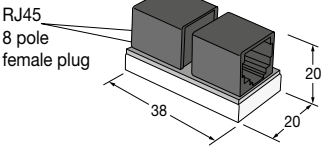
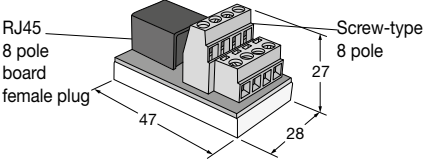
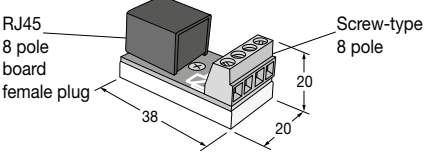
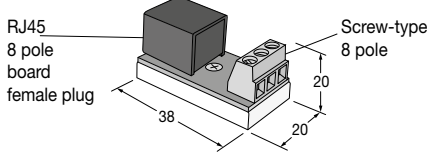
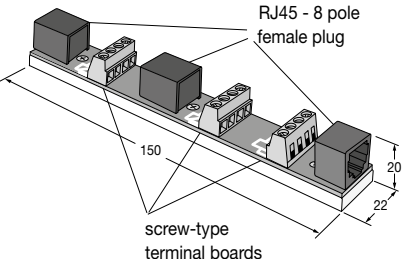
alternatively cable  
transfer "concealed"  
internal

Door status sensor

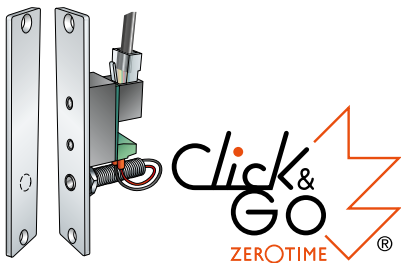


Control unit  
PHARMATRONIX



	<h2 style="color: orange;">ACCESSORIES</h2> <p><b>for structured and pre-configured WIREX cables</b></p> <p>with RJ45 8-pole quick fitting plug, "Click&amp;Go" technology, for a more practical installation and immediate cable routing</p> <p><b>ZEROTIME</b></p>	<p><b>Export Product-list</b> January 2018</p>  <p><b>TECNODIMENSIONE®</b></p>		
	<b>MASTERWIREX</b>	ordering information 		Q.ty
		MODELS		N°
<p>MASTERWIREX cable</p>  <p>RJ45 - 8 pole male plug</p>	<p>MASTERWIREX control cable (to interconnect the Stop/Go displays at Pharmatronix unit/VOXTRONIX module), "CLICK &amp; GO" technology, with 2 RJ45 8-pole male/male end plugs. Flat cable, standard length of 10 m, black.</p> <p>Cable, same features as the model above, for the interconnection of the electric drop bolt to the control unit.</p> <p>Cable, same features as the model above, for the interconnection of auxiliary units to the control unit.</p> <p>Cable, same features as the model above, for the interconnection of the sensors to the control unit.</p>	<p><b>034928WD</b></p> <p><b>034928WL</b></p> <p><b>034928WN</b></p> <p><b>034928WS</b></p>		
<p>TANDEMWIREX jumper</p>  <p>RJ45 - 8 pole male plug</p>	<p><b>TANDEMWIREX</b></p> <p>TANDEMWIREX jumper designed to be used to link 2 Stop/Go displays (in master/slave configuration), "CLICK &amp; GO" technology, with 2 RJ45 8-pole male/male end plugs. Flat cable, standard length of 20 cm, black.</p>	<p><b>034916W</b></p>		
<p>DUPLOWIREX coupling</p>  <p>RJ45 8 pole female plug</p>	<p><b>DUPLOWIREX COUPLING</b></p> <p>DUPLOWIREX coupling, made of RJ45 8-pole female plugs for the immediate extension of WIREX cables.</p>	<p><b>034918FFW</b></p>		
<p>CONVERWIREX adapter- Version 8</p>  <p>RJ45 8 pole board female plug</p> <p>Screw-type 8 pole</p>	<p><b>CONVERWIREX</b></p> <p>CONVERWIREX adapter designed to be used to convert the output of MASTERWIREX cables, fitted with one RJ45 8-pole male plug. Constituted by one RJ45 8-pole female plug and 8 screw-type terminals for conventional cables. For the conversion of RJ45 8-pole pin-to-pin outputs on 8 screwtype terminals.</p>	<p><b>034918W</b></p>		
<p>CONVERWIREX adapter- Version 4</p>  <p>RJ45 8 pole board female plug</p> <p>Screw-type 8 pole</p>	<p>CONVERWIREX adapter designed to be used to convert the output of MASTERWIREX cables, fitted with one RJ45 8-pole male plug. Constituted by one RJ45 8-pole female plug and 4 screw-type terminals for conventional cables. For the conversion of RJ45 R 3+3+1+1 8-pole outputs on 4 screw-type terminals.</p>	<p><b>034914W</b></p>		
<p>CONVERWIREX adapter- Version 3</p>  <p>RJ45 8 pole board female plug</p> <p>Screw-type 8 pole</p>	<p>CONVERWIREX adapter designed to be used to convert the output of MASTERWIREX cables, fitted with one RJ45 8-pole male plug. Constituted by one RJ45 8-pole female plug and 3 screw-type terminals for conventional cables. For the conversion of RJ45 R 3+2+3 8-pole outputs on 3 screw-type terminals.</p>	<p><b>034913W</b></p>		
<p>DUALWIREX adapter for doors with 2 leaves</p>  <p>RJ45 - 8 pole female plug</p> <p>screw-type terminal boards</p>	<p>DUALWIREX adapter to simultaneously control each of the 2 leaves (of a door with 2 leaves). The adapter can be connected to the two respective Reed proximity sensors (sensors that controls the door approaching) and/or to the electric locking system fitted with an independent door status sensor. The adapter comes with an 8-pole quick fitting RJ45 plug for the instantaneous connection of WIREX cables using the "Click &amp; Go" technology.</p> <p>Note: the screw-type terminal boards built-in the adapter are used for conversion internal connections configured in the factory.</p>	<p><b>034924W</b></p>		

(overall dimensions in mm)



## PROFESSIONAL PROXIMITY SENSORS

# SLIM-PROXY

With quick fitting 8 pole RJ45 plug to simplify installation and wiring

## Export Product-list

January 2018



**TECNODIMENSIONE®**

Magnetic Reed sensor complete with flange and counterflange in anodised aluminium with "silver" finish for flush mounting. Ideal for "clean rooms".

Ordering information



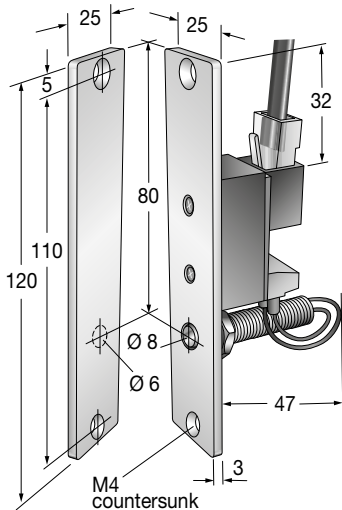
Q.ty

MODELS

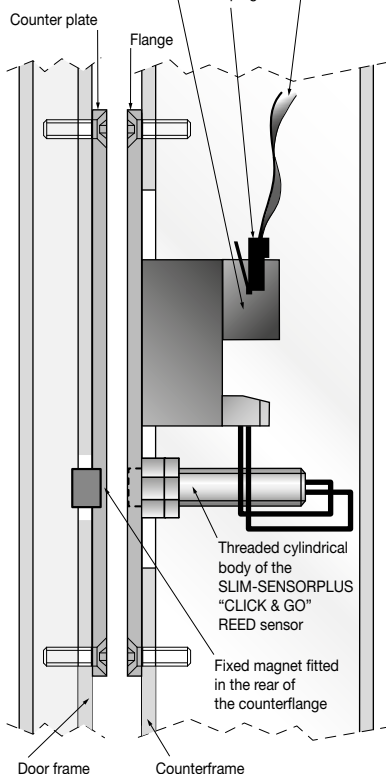
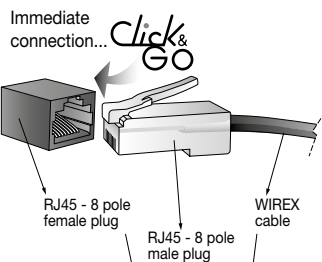
N°

### SLIM-PROXY SENSOR "CLICK & GO"

For recess mounting



#### EXAMPLE OF IMMEDIATE ASSEMBLY



Recess-mounting proximity sensor to control the approaching of the door. Designed to be used in systems with "inter-signalling" logic (that is without electrical locking systems). The proximity sensor can alternatively be used to control the approaching of the inactive door leaf for doors with two leaves. Suitable both for inter-signalling and interlocking systems.

#### Models for 12 Vdc power supply

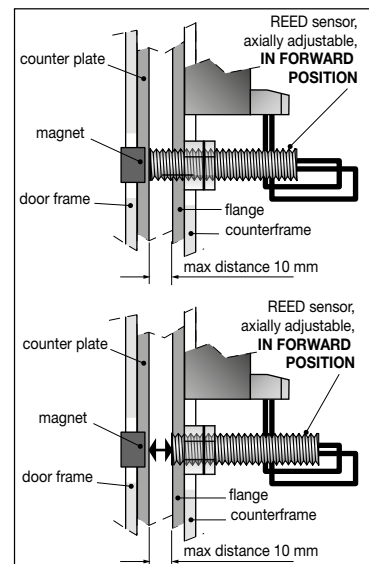
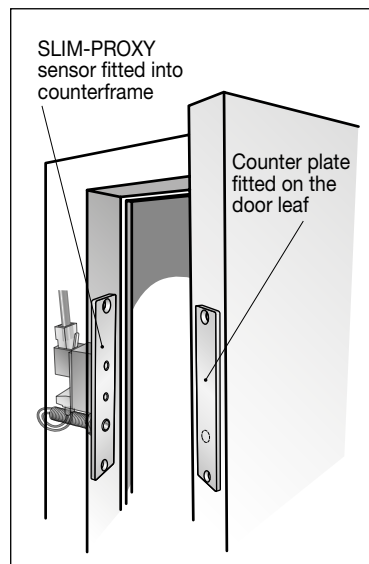
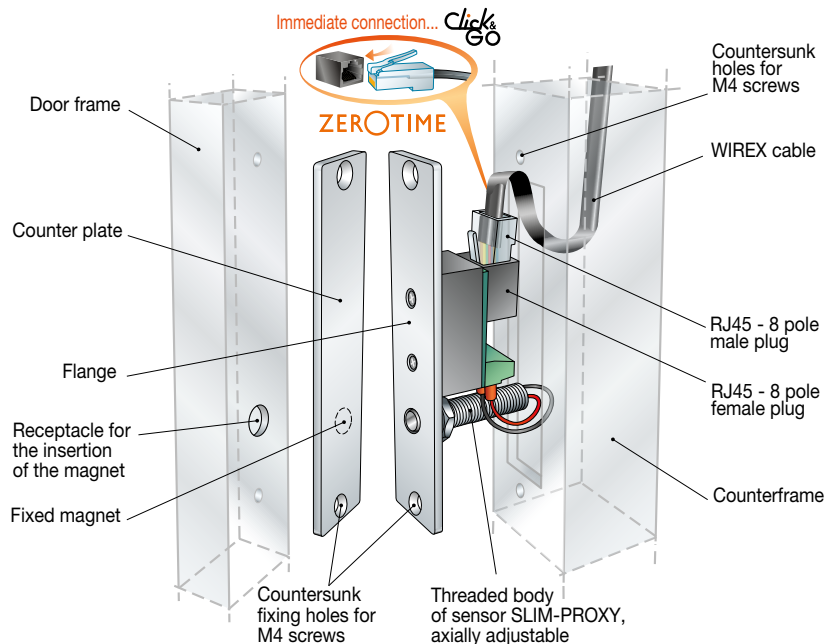
SLIM-PROXY Reed sensor for flush mounting with "CLICK & GO" technology. Fitted with 1 8-pole female quick fitting RJ45-8 connector for instantaneous connections.

- Reed sensor to control the approaching of the door (axially adjustable)
- SPDT switching output contacts (dry) capacity 0.9/12 V

Fitted with flange and counterflange in anodised aluminium with "silver" finish and high flow magnet built-in on the rear of the reference counterflange.

032111WF

#### EXAMPLES OF WIREX FAST CONNECTING CABLES FOR "CLICK & GO" MODELS



# PROFESSIONAL ANCILLARIES FOR CABLE TRANSFER ELECTRICAL WIRING ARRANGEMENT

cable transfer (traditional wiring; not WIREX type) set with heavy duty protective flexible conduit to provide the cable wiring between door frame and door, for direct permanent current line (ideal for wiring connections of electrical bolts, magnetic locks, electronic devices, touch-sensitized push handles and so on)

Export Product-list  
January 2018



**TECNODINENSIONE**<sup>®</sup>

Ordering information



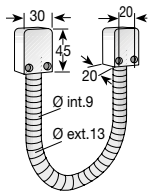
Q.ty

SERIES

MODELS

N°

## MEDICABLEX



### CABLEX EXTERNAL EXPOSED "TEAR-PROOF" EXECUTION

"Medium gauge" cable transfer protective set composed of 1 zinc-coated metallic flexible conduit 30cm long, internal Ø 9mm including 2 metallic "ferrules" (final ring spouts). With 2 conduit terminals, heavy duty tear-proof anodized aluminium type natural "silver" coloured = F.

"Medium gauge" cable transfer protective set composed of 1 zinc-coated metallic flexible conduit 30 cm long, internal Ø 9mm ; including 2 metallic "ferrules" as above mentioned but complete with 2 anodized aluminium conduit terminals, dark brown "coloured" = N.

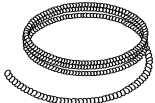
MEDICABLEX

031301F

MEDICABLEX

031301N

## "Bulk" flexible conduit



Flexible cable protective conduit "in bulk" (one skein 10 mt long) to be cutted to pieces.

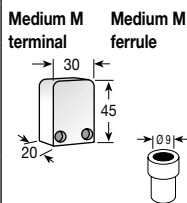
"Medium gauge" flexible protective cable conduit, zinc-coated metallic type. External diameter Ø 13mm internal diameter Ø 10mm (measured without ferrules)

031305Z

(10 mt skein)

### ANCILLARIES FOR FLEXIBLE PROTECTIVE CABLE CONDUIT "IN BULK"

For "medium gauge" flexible protective cable (Ø 10mm int./ Ø 13mm ext.)



"Medium gauge" heavy duty tear-proof conduit terminal M to fix the medium flexible conduit. Made by aluminium massive block and anodized in natural "silver" colour.

"Medium gauge" conduit terminal M as above but "dark brown" coloured.

"Medium gauge" metallic ferrule M final ring spout with bevelled edge to be screwed into each mouth of the piece of flexible conduit to ensure abrasion-free the inserted electrical cable.

031309F

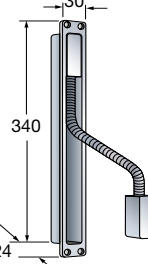
031309N

031313B

(set of 10 pc)

## CABLEX-IN

### Cable transfer set



### CABLEX-IN "CONCEALED" PROFESSIONAL EXECUTION

STANDARD TYPE for universal flush mounting either into door-frame or door

"Concealed" cable transfer protective set composed of 1 stainless steel spring conduit 180mm long (extensible up to 25% more for door arrangement) internal diameter Ø 9mm, external diameter Ø 13mm. Flush mount housing made by massive block of aluminium, anodized in natural "silver" colour = F. Universal version to be installed either into door-frame or opposite way into the door.

CABLEX-IN

031302F

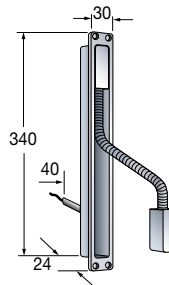
"Concealed" cable transfer protective set composed as above mentioned but with anodized aluminium housing "dark brown" coloured = N.

CABLEX-IN

031302N

## Cable transfer set

### CABLEX-IN sensorized



### "SENSORIZED" TYPE

with built-in inaccessible proximity reed sensor, for "secret" door monitoring (door open/closed).

"Concealed" cable transfer protective set composed of 1 stainless steel flexible spring conduit 180mm long (extensible up to 25% more for door arrangement) internal diameter Ø 9mm, external diameter Ø 13mm. Flush mount housing made by massive block of aluminium, anodized in natural "silver" colour = F. Special "sensorized" version with built-in "inaccessible" proximity reed sensor with output SPDT changeover dry contact 0,9A/12Vdc rated, complete with 3 wires cable 2 mt long.

CABLEX-IN

031302FZ

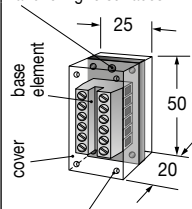
"Concealed" cable transfer protective set composed as above mentioned but with anodized aluminium housing "dark brown" coloured. Special "sensorized" version as above mentioned.

CABLEX-IN

031302NZ

## DUAL-TERMINALS

3 MA slots for screw anchoring to surfaces



2.5 MA slots for cover fixing screws on base

### DUAL-TERMINALS tri-modular with Flexicon technology With screw-type terminals for conventional cables

1-module DUAL-TERMINALS element with 6 input and 6 mirrored output terminals. Ideal for orderly grouping and compacting of all incoming and outgoing system wires in a single terminal box. Furthermore, specific slots let you professionally add on diodes, resistances, etc., when needed, by welding.

It comes complete with protection and insulation cover to avoid direct contacts. Specific slots in the cover permit all types of fixtures. Overall cover dimensions 50 x 25 x 20.

031501

2-module DUAL-TERMINALS element same as the above but with 12 input and 12 mirrored output terminals. Overall cover dimensions 100 x 25 x 20.

031502

3-module DUAL-TERMINALS element same as the above but with 18 input and 18 mirrored output terminals. Overall cover dimensions 150 x 25 x 20.

031503

# POWERBLOCK PROFESSIONAL POWER SUPPLIES

## Export Product-list

January 2018



**TECNODIMENSIONE**®

### POWER UNITS WITH BUILT-IN BATTERY CHARGER

All the types are equipped with special protections:

- electronic protection in case of short circuit of one or more elements of the batteries
- circuitry fully protected by fast fuses
- with "sealed type" safety transformer
- inside of the sealed transformer is built-in autoresettable "thermal protection device" at 110 °C threshold switching (to provide the complete switch-off of the transformer from the mains, with automatic switch-on when normal situation is restored)
- complete with 1,5mt long cable with europlug for 230Vac/50÷60Hz mains.

Ordering information

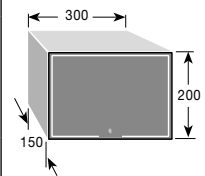


Q.ty

MODELS

N°

#### MINI-POWERBLOCK metallic housing version



**POWER UNITS HOUSED IN HEAVY DUTY METAL CABINET FOR WALL MOUNTING**  
- door locked by screw. Compartment to hold 1 medium - size battery 6Ah/12Vdc (or 2 batteries x 1,9 Ah).

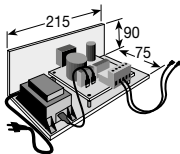
**Power unit with built-in electronic battery charger**, housed in heavy duty metal cabinet. Output for 12Vdc/2,7Amps total charge. Complete with "sealed type" safety transformer equipped with built-in autoresettable "thermal protection device" at 110 °C threshold switching. With 1,5 mt cable with europlug for 230Vac/50÷60Hz mains.

**Power unit with built-in electronic battery charger**, housed in heavy duty metal cabinet. Output for 24Vdc/1,5Amps total charge. Complete with "sealed type" safety transformer equipped with built-in autoresettable "thermal protection device" at 110 °C threshold switching. With 1,5 mt cable with europlug for 230Vac/50÷60Hz mains.

034770A

034771A

#### MINI-POWERBLOCK "open" execution (without housing)



**STABILIZED RECTIFIER UNITS WITH BATTERY CHARGER** "Open" execution (without housing) with transformer compacted on "L shape" dissipation plate

**Battery charger-stabilized** rectified unit 12Vdc/2,7A total charge. Complete with "sealed type" safety transformer equipped with built-in autoresettable "thermal protection device" at 110 °C threshold switching. With 1,5 mt cable equipped with europlug for 230Vac/50÷60 Hz mains. Output cable for 12Vdc equipped with "faston" terminals.

**Battery charger-stabilized** rectified unit 24Vdc/1,5A total charge. Complete with "sealed type" safety transformer equipped with built-in autoresettable "thermal protection device" at 110 °C threshold switching. With 1,5 mt cable equipped with europlug for 230Vac/50÷60 Hz mains. Output cable for 24Vdc equipped with "faston" terminals.

S034770G

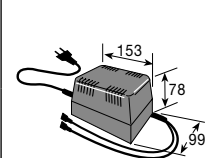
S034771G

**NOTE:** The published prices do not include the batteries.  
Must be used specific rechargeable batteries "lead sealed type" (typical type for alarm systems).

### STABILIZED POWER UNITS (without battery charger)

- Fitted with a PTC protection device against short-circuits.

#### MICRO-POWERBLOCK



Housed into a black plastic compact box for wall mounting (or desktop). Complete with 1,5 mt cable equipped with euro plug for 230Vac/50÷60 Hz. Output cable for 12Vdc equipped with "faston" terminals.

**Stabilized power supply** unit with PTC protection.  
For 230Vac/50÷60 Hz mains - output 12Vdc/1,2Amp.

034779B21