

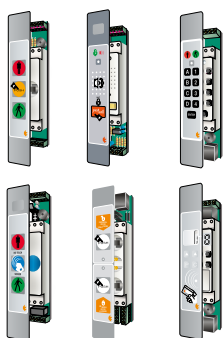
TECNODIMENSIONE PROFESSIONAL ANCILLARIES FOR INSTALLATION

Example of a door equipped
with devices, electric locks and accessories

DEVICES

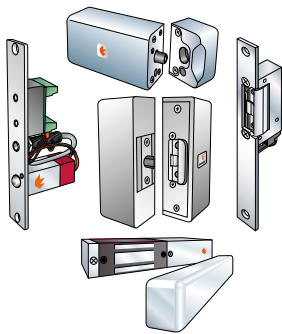
STOP/GO DISPLAYS

INTERCOMS
ALPHANUMERICAL
KEYPADS,
BADGE READERS



ELECTRICAL LOCKS

ELECTRICAL DROP BOLTS
ELECTRICAL DOOR STRIKES
ELECTROMAGNETS



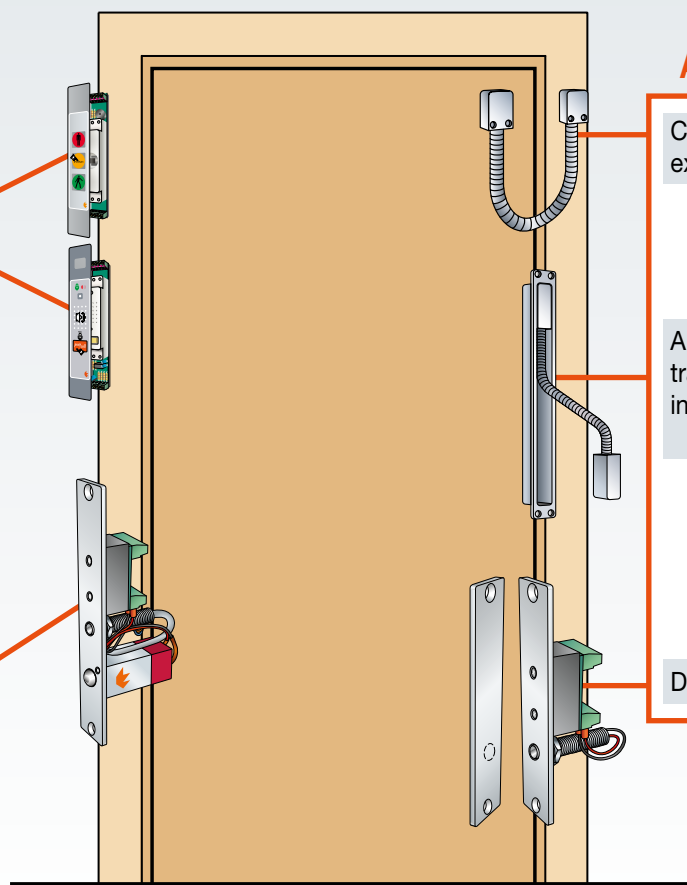
ANCILLARIES

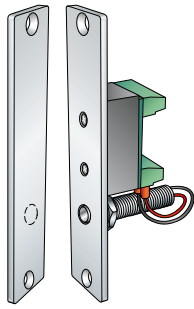
Cable transfer
external

Alternatively cable
transfer "concealed"
internal

Door status sensor

Control unit





**PROFESSIONAL PROXIMITY SENSORS
TO MONITOR DOOR STATUS**

SLIM-PROXY

MAGNETIC REED SENSOR

with screw-type terminal board for conventional cabling

Export Product-list
January 2018



TECNODIMENSIONE®

Magnetic Reed sensor complete with flange and counterflange in anodised aluminium with "silver" finish for flush mounting.

Ordering information 

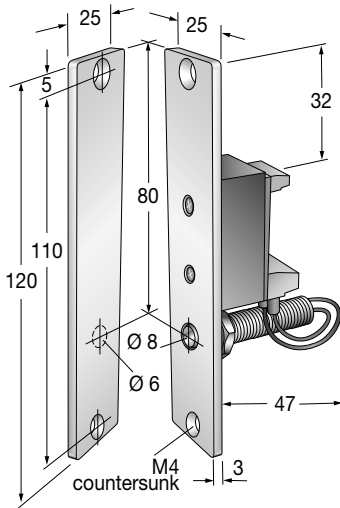
Q.ty

MODELS

N°

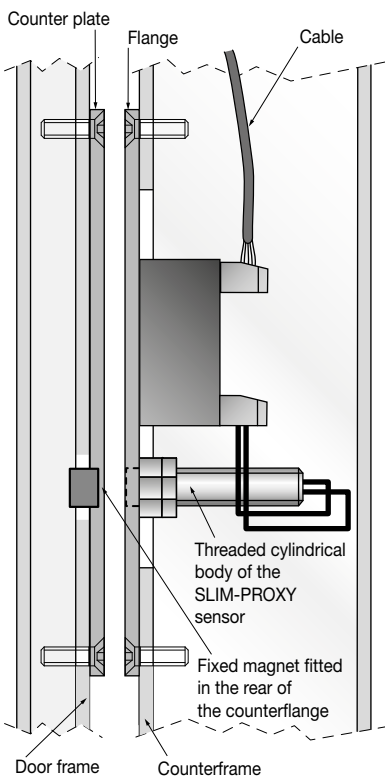
SLIM-PROXY

For recess mounting



(overall dimensions in mm)

EXAMPLE OF IMMEDIATE ASSEMBLY



Recessed proximity sensor for control shutting of door. Reed with large magnet, also for iron doors (to be installed on upper part of door to control the "aligned door" status).

Models for 12 Vdc power supply

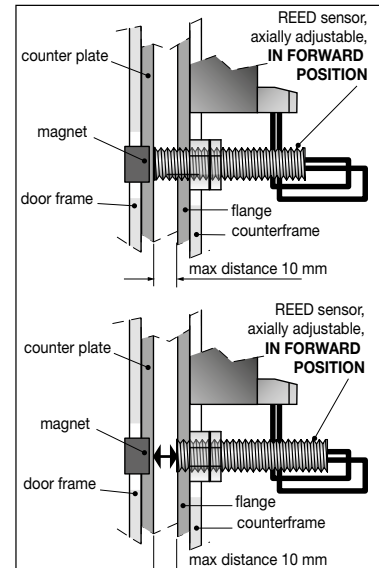
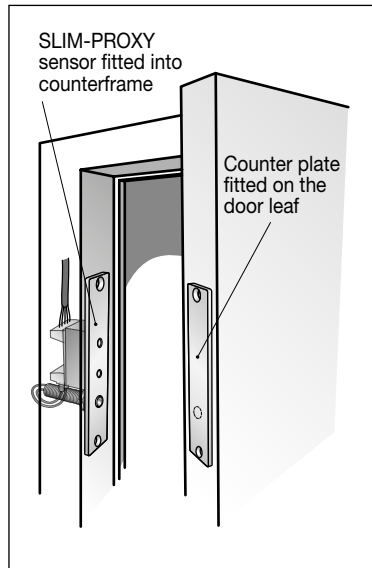
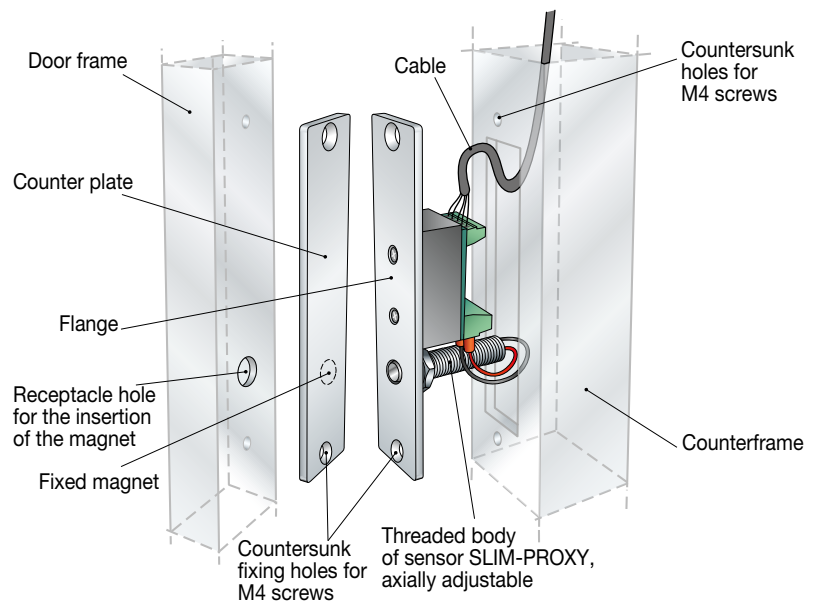
Reed sensor for fitting SLIM-PROXY with screw-on terminal with conventional cabling for any system for controlling door shutting (adjustable on the axis).

SPDT switching output contacts (dry) capacity 0.9/12V

Fitted with flange and counterflange in anodised aluminium with "silver" finish and high flow magnet built-in on the rear of the reference counterflange.

032111MF

EXAMPLE OF CONNECTING THE SLIM-PROXY PROXIMITY SENSOR



PROFESSIONAL ANCILLARIES FOR CABLE TRANSFER ELECTRICAL WIRING ARRANGEMENT

cable transfer (traditional wiring; not WIREX type) set with heavy duty protective flexible conduit to provide the cable wiring between door frame and door, for direct permanent current line (ideal for wiring connections of electrical bolts, magnetic locks, electronic devices, touch-sensitized push handles and so on)

Export Product-list
January 2018



TECNODINENSIONE®

Ordering information



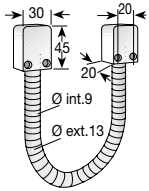
Q.ty

SERIES

MODELS

N°

MEDICABLEX



CABLEX EXTERNAL EXPOSED "TEAR-PROOF" EXECUTION

"Medium gauge" cable transfer protective set composed of 1 zinc-coated metallic flexible conduit 30cm long, internal Ø 9mm including 2 metallic "ferrules" (final ring spouts). With 2 conduit terminals, heavy duty tear-proof anodized aluminium type natural "silver" coloured = F.

"Medium gauge" cable transfer protective set composed of 1 zinc-coated metallic flexible conduit 30 cm long, internal Ø 9mm ; including 2 metallic "ferrules" as above mentioned but complete with 2 anodized aluminium conduit terminals, dark brown "coloured" = N.

MEDICABLEX

031301F

MEDICABLEX

031301N

"Bulk" flexible conduit



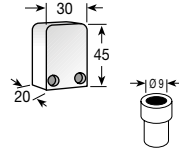
Flexible cable protective conduit "in bulk" (one skein 10 mt long) to be cutted to pieces.

"Medium gauge" flexible protective cable conduit, zinc-coated metallic type. External diameter Ø 13mm internal diameter Ø 10mm (measured without ferrules)

031305Z

(10 mt skein)

Medium M terminal Medium M ferrule



ANCILLARIES FOR FLEXIBLE PROTECTIVE CABLE CONDUIT "IN BULK"

For "medium gauge" flexible protective cable (Ø 10mm int./ Ø 13mm ext.)

"Medium gauge" heavy duty tear-proof conduit terminal M to fix the medium flexible conduit. Made by aluminium massive block and anodized in natural "silver" colour.

"Medium gauge" conduit terminal M as above but "dark brown" coloured.

"Medium gauge" metallic ferrule M final ring spout with bevelled edge to be screwed into each mouth of the piece of flexible conduit to ensure abrasion-free the inserted electrical cable.

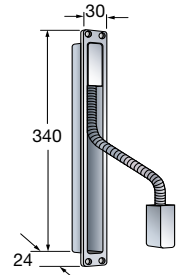
031309F

031309N

031313B

(set of 10 pc)

CABLEX-IN Cable transfer set



CABLEX-IN "CONCEALED" PROFESSIONAL EXECUTION

STANDARD TYPE for universal flush mounting either into door-frame or door

"Concealed" cable transfer protective set composed of 1 stainless steel spring conduit 180mm long (extensible up to 25% more for door arrangement) internal diameter Ø 9mm, external diameter Ø 13mm. Flush mount housing made by massive block of aluminium, anodized in natural "silver" colour = F. Universal version to be installed either into door-frame or opposite way into the door.

CABLEX-IN

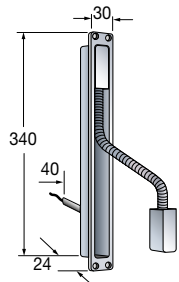
031302F

"Concealed" cable transfer protective set composed as above mentioned but with anodized aluminium housing "dark brown" coloured = N.

CABLEX-IN

031302N

Cable transfer set CABLEX-IN sensorized



"SENSORIZED" TYPE

with built-in inaccessible proximity reed sensor, for "secret" door monitoring (door open/closed).

"Concealed" cable transfer protective set composed of 1 stainless steel flexible spring conduit 180mm long (extensible up to 25% more for door arrangement) internal diameter Ø 9mm, external diameter Ø 13mm. Flush mount housing made by massive block of aluminium, anodized in natural "silver" colour = F. Special "sensorized" version with built-in "inaccessible" proximity reed sensor with output SPDT changeover dry contact 0,9A/12Vdc rated, complete with 3 wires cable 2 mt long.

CABLEX-IN

031302FZ

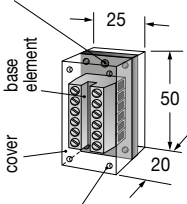
"Concealed" cable transfer protective set composed as above mentioned but with anodized aluminium housing "dark brown" coloured. Special "sensorized" version as above mentioned.

CABLEX-IN

031302NZ

DUAL-TERMINALS

3 MA slots for screw anchoring to surfaces



2.5 MA slots for cover fixing screws on base

DUAL-TERMINALS tri-modular with Flexicon technology With screw-type terminals for conventional cables

1-module DUAL-TERMINALS element with 6 input and 6 mirrored output terminals. Ideal for orderly grouping and compacting of all incoming and outgoing system wires in a single terminal box. Furthermore, specific slots let you professionally add on diodes, resistances, etc., when needed, by welding.

It comes complete with protection and insulation cover to avoid direct contacts. Specific slots in the cover permit all types of fixtures. Overall cover dimensions 50 x 25 x 20.

031501

2-module DUAL-TERMINALS element same as the above but with 12 input and 12 mirrored output terminals. Overall cover dimensions 100 x 25 x 20.

031502

3-module DUAL-TERMINALS element same as the above but with 18 input and 18 mirrored output terminals. Overall cover dimensions 150 x 25 x 20.

031503

POWERBLOCK PROFESSIONAL POWER SUPPLIES

Export Product-list

January 2018



TECNODIMENSIONE[®]

POWER UNITS WITH BUILT-IN BATTERY CHARGER

All the types are equipped with special protections:

- electronic protection in case of short circuit of one or more elements of the batteries
- circuitry fully protected by fast fuses
- with "sealed type" safety transformer
- inside of the sealed transformer is built-in autoresettable "thermal protection device" at 110 °C threshold switching (to provide the complete switch-off of the transformer from the mains, with automatic switch-on when normal situation is restored)
- complete with 1,5mt long cable with europlug for 230Vac/50÷60Hz mains.

Ordering information

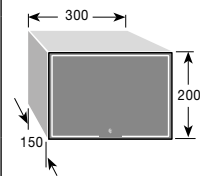


Q.ty

MODELS

N°

MINI-POWERBLOCK metallic housing version



POWER UNITS HOUSED IN HEAVY DUTY METAL CABINET FOR WALL MOUNTING
- door locked by screw. Compartment to hold 1 medium - size battery 6Ah/12Vdc (or 2 batteries x 1,9 Ah).

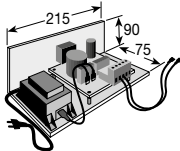
Power unit with built-in electronic battery charger, housed in heavy duty metal cabinet. Output for 12Vdc/2,7Amps total charge. Complete with "sealed type" safety transformer equipped with built-in autoresettable "thermal protection device" at 110 °C threshold switching. With 1,5 mt cable with europlug for 230Vac/50÷60Hz mains.

Power unit with built-in electronic battery charger, housed in heavy duty metal cabinet. Output for 24Vdc/1,5Amps total charge. Complete with "sealed type" safety transformer equipped with built-in autoresettable "thermal protection device" at 110 °C threshold switching. With 1,5 mt cable with europlug for 230Vac/50÷60Hz mains.

034770A

034771A

MINI-POWERBLOCK "open" execution (without housing)



STABILIZED RECTIFIER UNITS WITH BATTERY CHARGER "Open" execution (without housing) with transformer compacted on "L shape" dissipation plate

Battery charger-stabilized rectified unit 12Vdc/2,7A total charge. Complete with "sealed type" safety transformer equipped with built-in autoresettable "thermal protection device" at 110 °C threshold switching. With 1,5 mt cable equipped with europlug for 230Vac/50÷60 Hz mains. Output cable for 12Vdc equipped with "faston" terminals.

Battery charger-stabilized rectified unit 24Vdc/1,5A total charge. Complete with "sealed type" safety transformer equipped with built-in autoresettable "thermal protection device" at 110 °C threshold switching. With 1,5 mt cable equipped with europlug for 230Vac/50÷60 Hz mains. Output cable for 24Vdc equipped with "faston" terminals.

S034770G

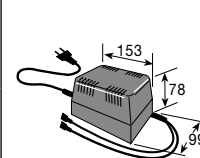
S034771G

NOTE: The published prices do not include the batteries.
Must be used specific rechargeable batteries "lead sealed type" (typical type for alarm systems).

STABILIZED POWER UNITS (without battery charger)

- Fitted with a PTC protection device against short-circuits.

MICRO-POWERBLOCK



Housed into a black plastic compact box for wall mounting (or desktop).
Complete with 1,5 mt cable equipped with euro plug for 230Vac/50÷60 Hz.
Output cable for 12Vdc equipped with "faston" terminals.

Stabilized power supply unit with PTC protection.
For 230Vac/50÷60 Hz mains - output 12Vdc/1,2Amp.

034779B21