

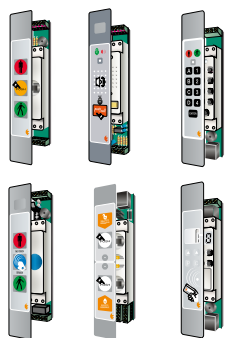
# TECNODIMENSIONE PROFESSIONAL ANCILLARIES FOR INSTALLATION

Example of a door equipped  
with devices, electric locks and accessories

## DEVICES

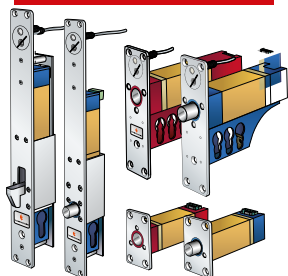
### STOP/GO DISPLAYS

INTERCOMS  
ALPHANUMERICAL  
KEYPADS,  
BADGE READERS



## ELECTRICAL LOCKS

### ELECTRICAL DROP BOLTS

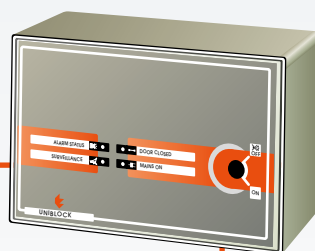
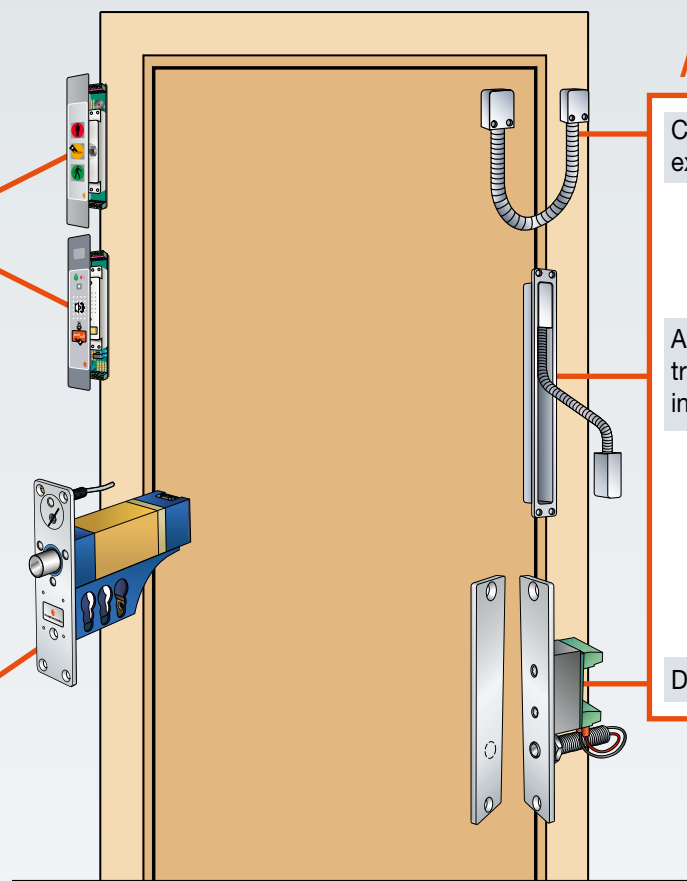


## ANCILLARIES

Cable transfer  
external

Alternatively cable  
transfer "concealed"  
internal

Door status sensor



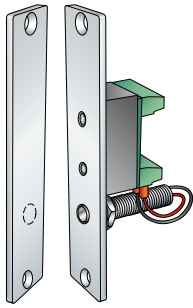
Control unit



Desktop console  
for door opening



# ANCILLARIES FOR INSTALLATION



## PROFESSIONAL PROXIMITY SENSORS TO MONITOR DOOR STATUS

### SLIM-PROXY

#### MAGNETIC REED SENSOR

with screw-type terminal board for conventional cabling

Export Product-list

January 2018



**TECNODIMENSIONE**®

Magnetic Reed sensor complete with flange and counterflange in anodised aluminium with "silver" finish for flush mounting.

Ordering information



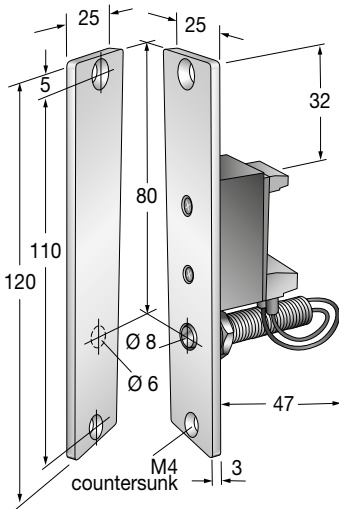
Q.ty

MODELS

N°

### SLIM-PROXY

For recess mounting



(overall dimensions in mm)

Recessed proximity sensor for control shutting of door. Reed with large magnet, also for iron doors (to be installed on upper part of door to control the "aligned door" status).

#### Models for 12 Vdc power supply

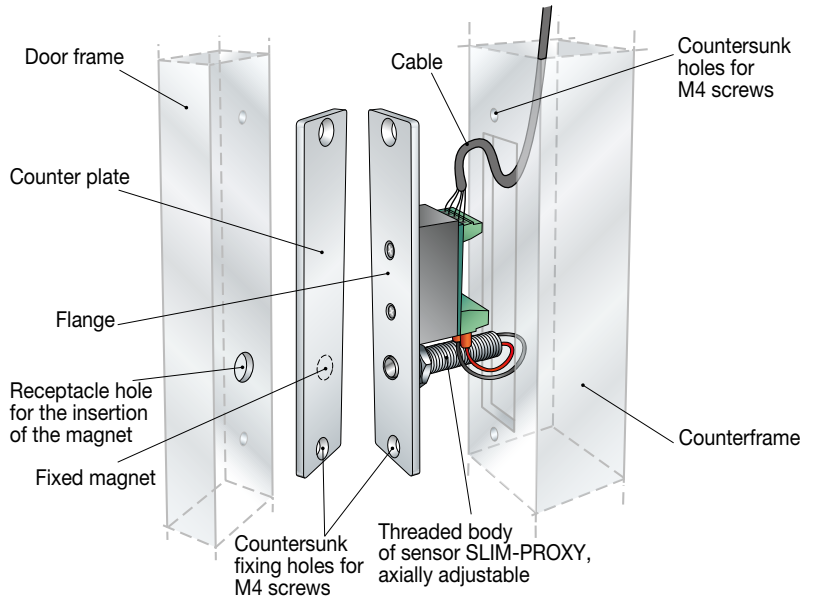
Reed sensor for fitting SLIM-PROXY with screw-on terminal with conventional cabling for any system for controlling door shutting (adjustable on the axis).

032111MF

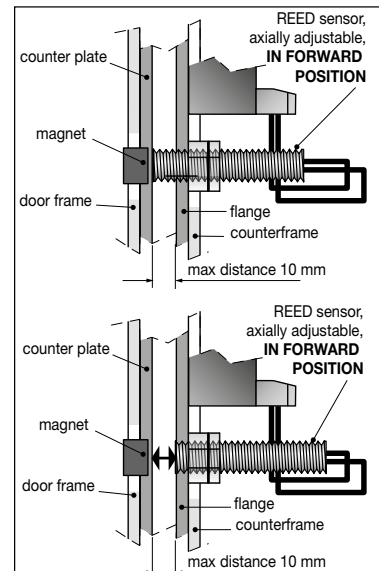
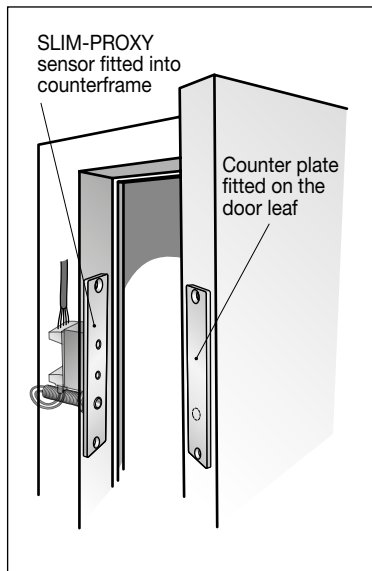
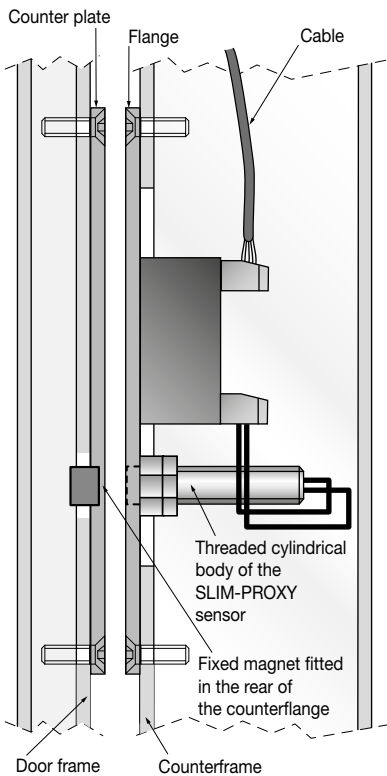
SPDT switching output contacts (dry) capacity 0.9/12V

Fitted with flange and counterflange in anodised aluminium with "silver" finish and high flow magnet built-in on the rear of the reference counterflange.

#### EXAMPLE OF CONNECTING THE SLIM-PROXY PROXIMITY SENSOR



#### EXAMPLE OF IMMEDIATE ASSEMBLY



# ANCILLARIES FOR INSTALLATION

Export Product-list

January 2018



**TECNODIMENSIONE®**

## PROFESSIONAL PROXIMITY SENSORS TO MONITOR DOOR STATUS

### REGOPLUS® & PROXY SENSORS WITH "HIGH FLOW" MAGNETIC REED CONTACTS

Proximity reed sensors with high flow magnet to control doors of any type, either timber, aluminium frame and "all iron-made" types too. (To be installed in the door frame to "see" when the door is going into the frame-post.

SERIES

Ordering information

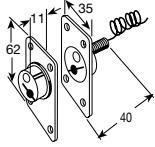


Q.ty

MODELS

N°

#### REGOPLUS

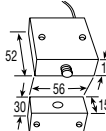


**Door monitoring proximity contact for flush mounting**, set composed of 2 chromium-coated brass face-plate adapter to be fitted into the frame of the door, with built-in reed sensor assembled on special adjustable "Regoplus" device for micrometric setting up to 13mm shifting on 360° rotation. Changeover SPDT dry contacts output 0,9A/12Vdc rated, complete with 3 wires cable 2 mt long.

REGOPLUS®

032111DF3

#### PROXY

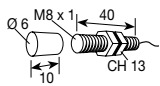


**Door monitoring proximity contact for surface mounting**, set composed of anodized aluminium solid block that includes threaded cylindrical proximity sensor axially adjustable to be adapted to the frame/door distance. Changeover SPDT dry contacts 0,9A/12Vdc rated, complete with 3 wires cable 2 mt long.

PROXY

0020705D

#### "SIMPLIFIED" execution



**Door monitoring proximity contact nickel plated brass**, "threaded cylindrical " execution complete with locknuts. Changeover SPDT dry contacts 0,9A/12Vdc rated, complete with 3 wires cable 2 mt long.

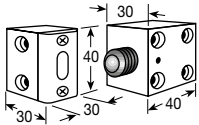
032111

## SNAP-IN RETAINERS/POSITIONING DEVICE FOR DOOR CLOSING

### REGOFIX THE MECHANICAL DOOR FIXING DEVICE

Adjustable model with compressing ball and a high progressive force. Ideal for doors, gates and frequently used residential and industrial front doors that could fail to close properly due to pressure applied to the leaf surface.

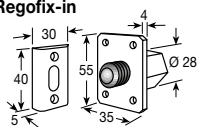
#### Regofix



**Snap-in retainer/positioning device for the application on surfaces** Complete kit that includes a positioning ball in tempered steel with compression spring, designed to be precisely adjusted axially, fitted on an Anticorodal anodised machined aluminium monobloc with silver finish" = F for the application on surfaces. The kit includes a reference block designed to be applied on surfaces in Anticorodal anodised machined aluminium F with stop in chromium-plated steel and seat for the retraction and pointing of the positioning ball.

004915AF

#### Regofix-in



**Snap-in retainer/positioning device for applied configurations** kit with positioning ball in tempered steel as above, but fitted on a chromium-plated brass flange for recess-mounting. The kit includes a reference flange for recess-mounting in chromium-plated steel with a slot for the retraction and pointing of the positioning ball.

004915G



# POWERBLOCK PROFESSIONAL POWER SUPPLIES

## Export Product-list

January 2018



**TECNODIMENSIONE**®

### POWER UNITS WITH BUILT-IN BATTERY CHARGER

All the types are equipped with special protections:

- electronic protection in case of short circuit of one or more elements of the batteries
- circuitry fully protected by fast fuses
- with "sealed type" safety transformer
- inside of the sealed transformer is built-in autoresettable "thermal protection device" at 110 °C threshold switching (to provide the complete switch-off of the transformer from the mains, with automatic switch-on when normal situation is restored)
- complete with 1,5mt long cable with europlug for 230Vac/50÷60Hz mains.

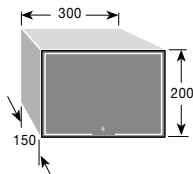
Ordering information



Q.ty  
N°

MODELS

#### MINI-POWERBLOCK metallic housing version



**POWER UNITS HOUSED IN HEAVY DUTY METAL CABINET FOR WALL MOUNTING**  
- door locked by screw. Compartment to hold 1 medium - size battery 6Ah/12Vdc (or 2 batteries x 1,9 Ah).

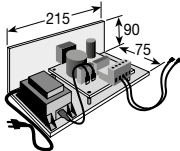
**Power unit with built-in electronic battery charger**, housed in heavy duty metal cabinet. Output for 12Vdc/2,7Amps total charge. Complete with "sealed type" safety transformer equipped with built-in autoresettable "thermal protection device" at 110 °C threshold switching. With 1,5 mt cable with europlug for 230Vac/50÷60Hz mains.

**Power unit with built-in electronic battery charger**, housed in heavy duty metal cabinet. Output for 24Vdc/1,5Amps total charge. Complete with "sealed type" safety transformer equipped with built-in autoresettable "thermal protection device" at 110 °C threshold switching. With 1,5 mt cable with europlug for 230Vac/50÷60Hz mains.

034770A

034771A

#### MINI-POWERBLOCK "open" execution (without housing)



**STABILIZED RECTIFIER UNITS WITH BATTERY CHARGER** "Open" execution (without housing) with transformer compacted on "L shape" dissipation plate

**Battery charger-stabilized** rectified unit 12Vdc/2,7A total charge. Complete with "sealed type" safety transformer equipped with built-in autoresettable "thermal protection device" at 110 °C threshold switching. With 1,5 mt cable equipped with europlug for 230Vac/50÷60 Hz mains. Output cable for 12Vdc equipped with "faston" terminals.

**Battery charger-stabilized** rectified unit 24Vdc/1,5A total charge. Complete with "sealed type" safety transformer equipped with built-in autoresettable "thermal protection device" at 110 °C threshold switching. With 1,5 mt cable equipped with europlug for 230Vac/50÷60 Hz mains. Output cable for 24Vdc equipped with "faston" terminals.

S034770G

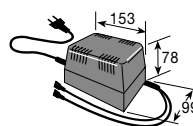
S034771G

**NOTE:** The published prices do not include the batteries.  
Must be used specific rechargeable batteries "lead sealed type" (typical type for alarm systems).

### STABILIZED POWER UNITS (without battery charger)

- Fitted with a PTC protection device against short-circuits.

#### MICRO-POWERBLOCK



Housed into a black plastic compact box for wall mounting (or desktop).  
Complete with 1,5 mt cable equipped with euro plug for 230Vac/50÷60 Hz.  
Output cable for 12Vdc equipped with "faston" terminals.

**Stabilized power supply** unit with PTC protection.  
For 230Vac/50÷60 Hz mains - output 12Vdc/1,2Amp.

034779B21