

SLIM-HELPPUSH PROFESSIONAL PUSH-BUTTON PANELS with emergency mushroom head button

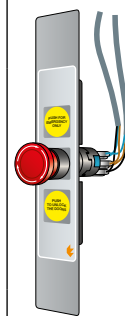
Export Product-list
January 2018



Ordering information Q.ty

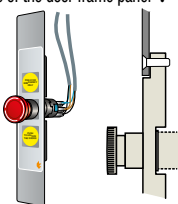
MODELS N°

Models for 12 Vdc/70mA power supply and/or 24Vdc



- With flying cables 2 metres long, precabled in the factory, each with 3 conventional cabling terminals for any type of system.
- Fitted with a red mushroom head button for manual emergency operations (for example to open part and/or all the doors, stop the operating cycle, send a fire alarm, etc.). Monostable ON/OFF mushroom head button (when pressed, it remains permanently ON). The button can be reset (OFF) with a specific voluntary action by turning the red head of the button clockwise.
- 2 SPDT independent exchange output contacts - "dry" type with 1A/12-24 Vdc capacity; the 1st contact (flying cable A) is the emergency door release control. The 2nd contact (flying cable B) can be used for additional local and/or remote optical/acoustic signals (alarms, special controls, etc.).
- 1 adhesive cover in polycarbonate, 180x30mm, R2,5, thickness 0.3mm with 7-colour international symbols; with 2 windows for the personalised indication of commands.

Assembly type 1
fully aligned concealed for recess-mounting without flange on the same plane of the door frame panel *



SLIM-HELPPUSH push button panel type 1 with "mushroom" pressure button with fully aligned concealed for recess-mounting on the same plane of the door frame panel without flange. Concealed flush mounting in door frame (only red head of mushroom sticks out). Ideal to achieve a surface that is easy to clean. Supplied with front panel and gap G for sections with a thickness of 1.6mm. Complete with self-adhesive cover designed to be applied after the final installation of the system.

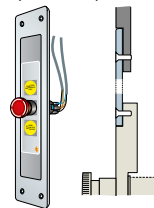
*** In this case it is advisable to prepare the recess during the door frame machining.**

Same with front panel and gap G for sections with a thickness of 3mm.

034971E0M2U

034971E0M2U3

Assembly type 2
fully aligned at milling for recess-mounting with front flange on the same plane of the panel surface ◆



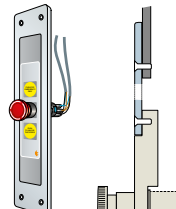
SLIM-HELPPUSH push-button panel type 2 with "mushroom" pressure button for aligned recessed flush fitting in bottom of panel using front flange (only red head of mushroom sticks out) (e.g. To mount on wall panel next to the door frame on the post where no chasing can be carried out).

Supplied with front flange in anodised aluminium with "silver" finish, 250x50mm, thickness 2.5mm for recess-mounting on the same plane of the panel surface for aligned recessed flush fitting in bottom of plane using front flange. Cover pre-assembled and fixed into the flange niche.

◆ In this case, it is advisable to prepare sunk milling during the panel machining phase.

034972E0M2U

Assembly type 3
for conventional flush mounting with front flange overlapping door frame



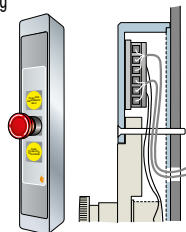
SLIM-HELPPUSH push-button panel type 3 with "mushroom" pressure button for traditional recessed fitting using flange.

Supplied with front flange in anodized aluminium with "silver" finish - 250x50mm, thickness 4mm for flush mounting. Cover pre-assembled and fixed into the flange niche.

Mounting can be carried out "on site", directly onto the installed door frame.

034973E0M2U

Assembly type 4
for surface mounting with using housing



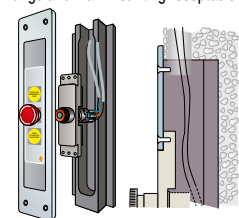
SLIM-HELPPUSH push-button panel type 4 for mounting placed on surface using housing. With extra-strong protective housing, made in anodized silver finish aluminium (35x25x215mm).

Self-adhesive cover in polycarbonate, provided separately and designed to be used as final cover to hide the 4 fixing screws of the housing on the door frame.

Useful when you wish to avoid recess-mounting or cuts on the door frame.

034974E0M2U

Assembly type 5
for recessed wall-mounting with flange and wall-mounting receptacle



SLIM-HELPPUSH push-button panel type 5 with "mushroom" pressure button for recessed assembly using flange and wall box.

Supplied with front flange in anodized aluminium with "silver" finish - 250x50mm, thickness 4mm, to be fixed to the housing by placing on wall surface. Self-adhesive cover in polycarbonate pre-assembled and fixed into the flange niche. Also fitted with wall box with "wings" for rapid anchoring (65x30x230mm), in plastic taken from single block to be assembled "in a niche" in the wall to house the body of the push button panel.

Wall niche and cable channel to be prepared beforehand.

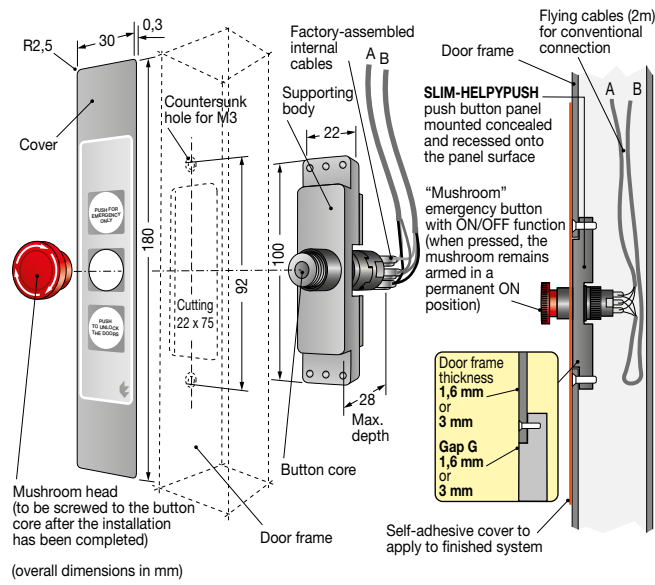
034975E0M2U

Special configurations available at extra charge: Cover with your logo and/or customized.

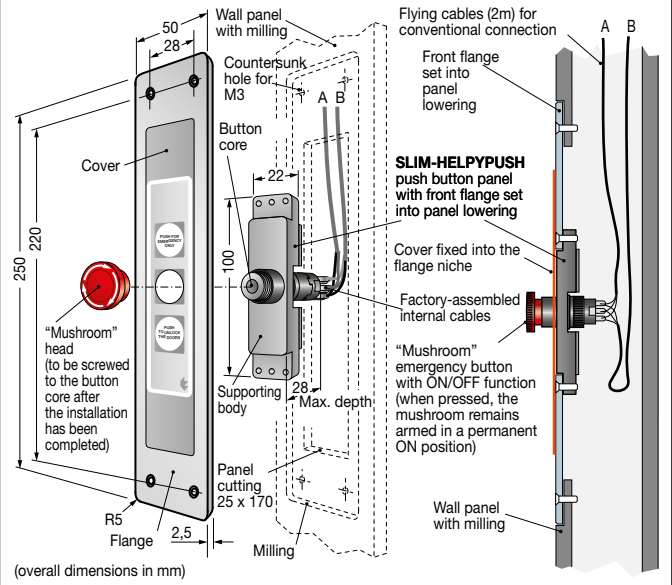
For sizes, measurements and details of chasing, application examples and connection diagrams, see page 21.

SLIM-HELPPUSH PUSH-BUTTON PANELS - sizes, application examples and connection diagram

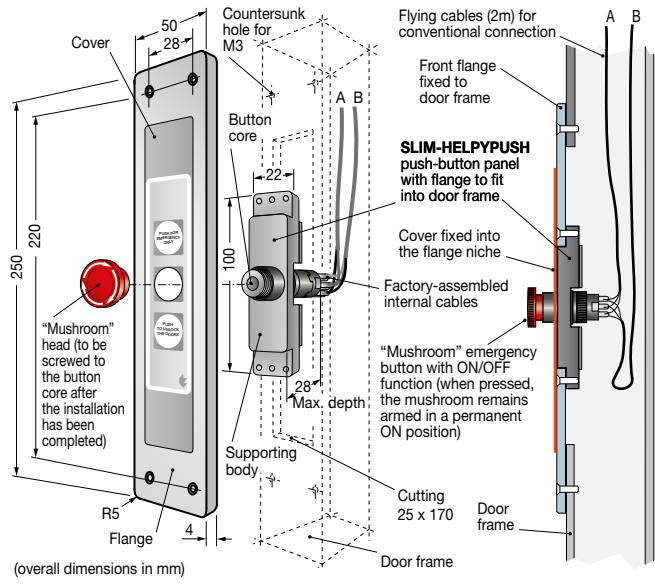
Assembly type 1 total alignment, lock recessed into surface without flange



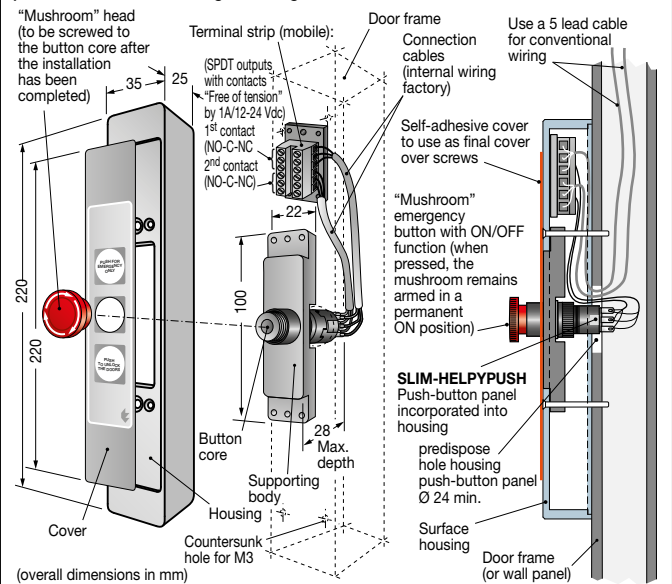
Assembly type 2 alignment at bottom with front flange "flush with surface" at bottom



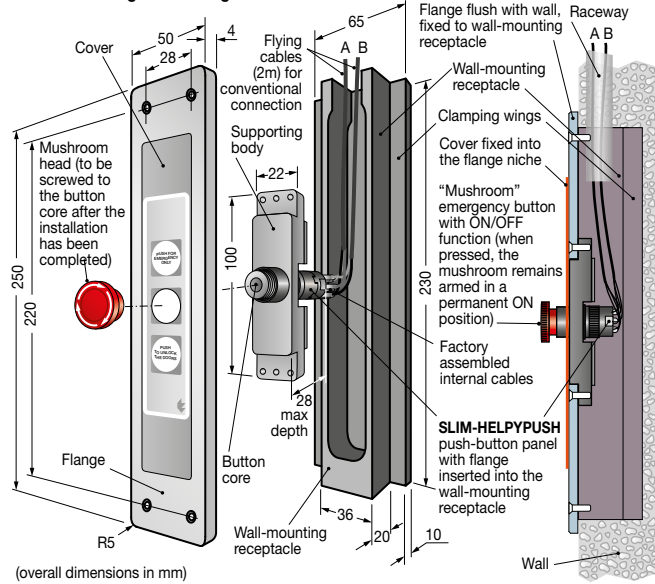
Assembly type 3 traditional fitting with front flange over the lock



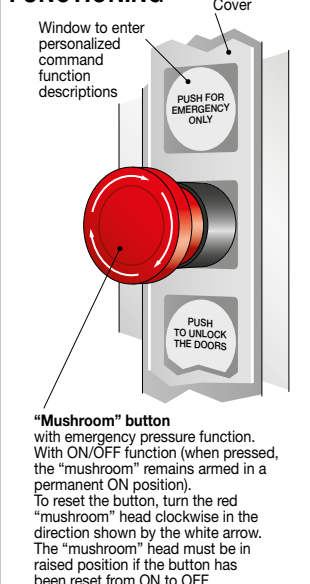
Assembly type 4 for mounting placed on surface using housing



Assembly type 5 for recessed wall mounting with flange and wall box



MUSHROOM BUTTON FUNCTIONING



CONNECTION DIAGRAM valid for all 5 types

